

NEW PLEX uSDM-200[®]

2.8' Fully Configurable Pro-level Micro Display



Description

Introducing the 2nd Generation PLEX uSDM Micro Display, a small but versatile 2.8" CAN display built for any motorsport or automotive application. The new PLEX uSDM-200 succeeds the uSDM-100 & uSDM-102, and brings rich color, full configuration, advanced features and IP64 weather sealing to the mid-range. It is powered by a new faster processor and provides custom graphical UI with advanced user configuration capabilities to match any type of project. Available in 3 versions: (D) Display only, (DL) Display Logger and (DLG) All-in-One Display Logger with GNSS measurements (Lap timing & Performance), it is meant to be used both as main or secondary display for road, race and off-road vehicles.

Applications

- Automotive
- Motorcycle
- Snowmobiles
- Marine
- Off-road

Key Features

- ▶ 2.8" High-brightness sunlight readable IPS Display with touch interface
- ▶ Faster and more powerful processor
- ▶ Industrial quality membrane keypad with excellent tactile feedback and glove friendliness
- ▶ Fully configurable UI, CAN BUS and I/Os
- ▶ Built-in concurrent multi-GNSS for lap-timing and performance measurements
- ▶ Built-in datalogging memory
- ▶ Configurable RGB LED Lights

Price

From €559 to €799 (ex. VAT)

Technical Specifications

Inputs	
Analog/Digital/Frequency 0-5V	1
Analog/Digital/Frequency 0-16V	1
Outputs	
AUX Low Side	1 (lim 0.5A) - shared
LEDs	3x RGB
Communications	
Can Bus Ports	1
K-Line Ports	tbd
USB	config. & data-transfer
Internal Sensors	
Real Time Clock	with battery backup
Device/Sensor voltage monitor	+12V supp./+5V sensor supply
Device Temperature monitor	Yes
Ambient light sensor	Yes
Accelerometer/IMU	6-axis built-in/100Hz
GNSS	built-in multi concurrent GNSS
Data Channels	
Max Data Channels	up to 128
Max Flag Channels	up to 128

NEW PLEX uSDM-200[®]

Technical Specifications - Continued

Data-logging	
Memory	built-in flash
Log Rate Max	100Hz
Lap Times log	yes (DLG version)
Performance Times log	yes (DLG version)
Calculations	
Lap Times	Yes (DLG version)
Acceleration Performance	Yes (DLG version)
Engine Power & Torque	Yes (DLG version)
Math Channels	up to 16
Trip Meters	up to 2
Screen	
Type	RGB TFT IPS Sunlight Readable with touch interface
Size	320 x 240 pixels
Brightness	900cd
Refresh rate	20Hz
Display glass	Capacitive Touch
User Interface	
# of Pages	up to 24
Custom page design	yes
Colour themes	yes
Electrical Data	
Supply Voltage Range	9-30V DC
Current Consumption	max. 0.3A at 12V
Operating Conditions	
Temperature Range	-20 to +60 degC
Physical	
Connectors	JWPF
Dimensions mm	w: 86.5 / h: 63 / d: 16
Weight	130g
Material	CNC machined aluminum
Sealing / Ingress Protection	IP64

Improvements vs discontinued uSDM-100/uSDM-102

- Fully re-designed electronics and hardware
- Faster, more powerful processor
- New color TFT display / Sunlight Readable / All angles
- Enhanced design / form factor
- Weather and dust protection (IP64)
- Fully configurable UI (pages, themes, colors, etc)
- Fully configurable LED Lights
- Built-in GNSS & IMU
- Faster built-in datalogging memory
- Improved industrial quality keypad
- Enhanced electrical protection

Version Comparison

	D	DL	DLG
Custom UI	•	•	•
# of Pages	12	24	24
# of Display Chann.	64	128	128
Datalogging	-	•	•
# of Max Logged Ch.	-	128	128
Multipurpose Inputs	-	2	2
Switch Inputs	-	2 (shared)	2 (shared)
Aux Outputs	-	1 (shared)	1 (shared)
IMU	-	-	6axis /100Hz
Multi-GNSS	-	-	•
Light Sensor	•	•	•
Engine Log	4 ch.	8 ch.	16 ch.
Math Channels	4	16	16
Lap Timing	-	-	•
Performance Meter	-	-	•
Trip Meter	2	2	2

What's In The Box

- Display
- Cable Harness
- Pins /Plugs
- USB cable
- GPS Antenna (opt.)

Software

PLEX Device Manager V2	configuration	free
PLEX PDA-WIN	data analysis	free
PLEX PDA-WIN-PRO	data analysis	paid

NEW PLEX uSDM-200[®]

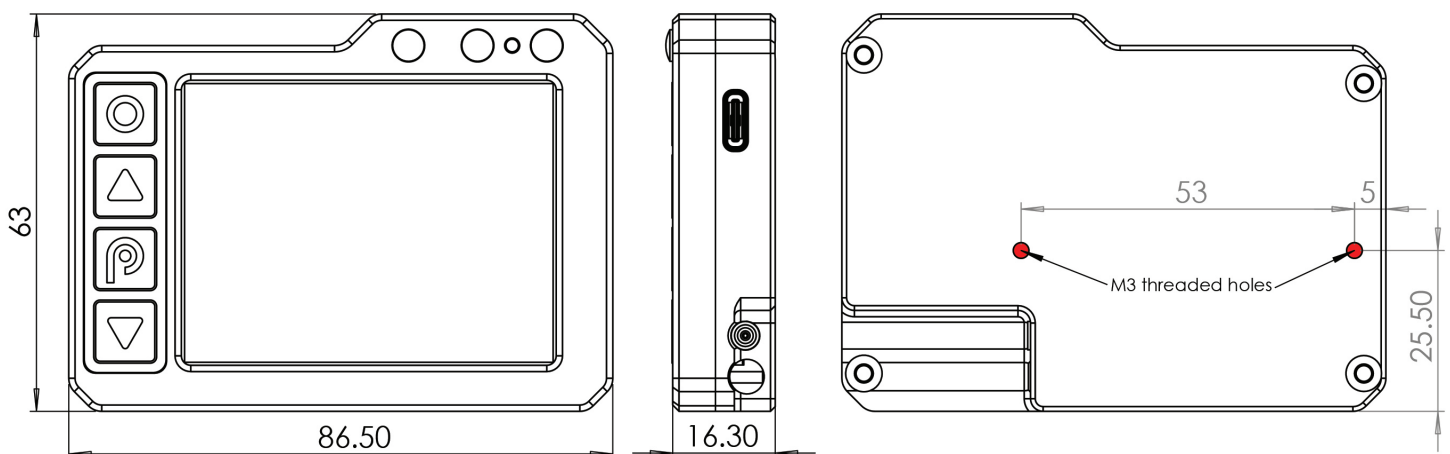
Indicative List of Compatible After Market ECU Brands & CAN Devices

Fully configurable CAN Receive & Transmit	MAGNETI MARELI
AIM	MAXX ECU
BLINK MARINE	MBE
BOSCH MOTORSPORT	MECTRONIK
CARROT	MEGASQUIRT
COSWORTH	MME
DTA	MOTEC
ECUMASTER	MSEL
EFI	PECTEL
ELETROMOTIVE	PRO EFI
EMERALD	RACEGRADE
EMTRON	RACELOGIC
E-RACE BLACK	SPECIALIST COMPONENTS
GEMS	SIMTEK
GRAYHILL	SYBELE
HALTECH	SYVECS
HONDATA	TEXENSE
HP ELETRONIC	TREMONDI
KMS	TRIJECT
LIFE RACING	XAP
LINK	A variety of OC

List of supported OEM/Stock ECUs

to be communicated

Technical Drawings / Dimensions / Mounting (in mm)



ATTENTION - DISCLAIMER

©PLEX TUNING O.E. 2024| The information contained in these documents is confidential, privileged and only for the information of the intended recipient and may not be used, published or redistributed without the prior written consent of Plex Tuning OE. Additionally, all information in these documents is subject to changes without prior notice.

